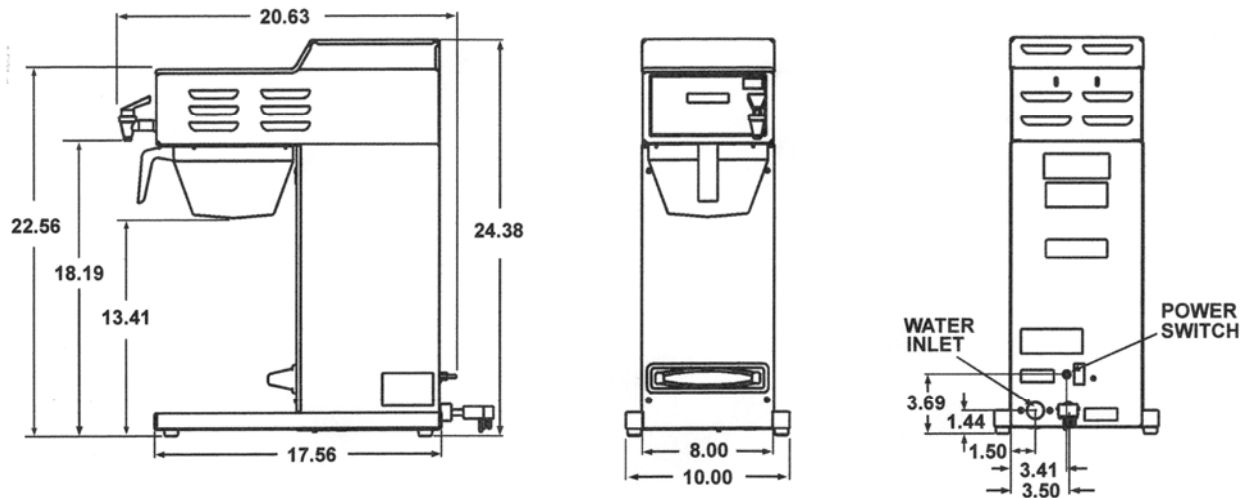


# Dimensions & Specifications



Model #	Description	Volts	Total Watts	Amps	Cu. Ft.	Dimensions	Shipping Weight
1015020	C21 Electronic Airpot/GF Brewer	120	1800	15	5	24-3/8"H x 10"W x 20-5/8"D	30 lbs. (14 kg)
1015021	C21 Electronic Airpot/GF Brewer	120/240	4350	18.3	5	24-3/8"H x 10"W x 20-5/8"D	30 lbs. (14 kg)
1015025	C21 Electronic Airpot/GF Brewer	230	3945	17	5	24-3/8"H x 10"W x 20-5/8"D	30 lbs. (14 kg)

Plumbing: 30 -80 psi. All models are supplied with 1/4" male flared fitting.  
 Power Supply Cord: 6 ft. 2 wire + ground 14 AWG 18 Amp rating for 120V models only.  
 \*220V & 120/240V models: 6 ft. 2 wire + ground 12 AWG 25 Amp rating, cord plug not attached.

### Approvals

1015020  
 1015021  
 1015025



### Accessories:



**Z-74 Lever Airpot**  
 Model: 9500341

**Z74 Lever Airpot W/Glass Liner (Decaf)**  
 Model: 9500342

**GF Thermal Server without base**  
 Model: 9500447

**GF Dispensing Stand**  
 Model: 9500301

