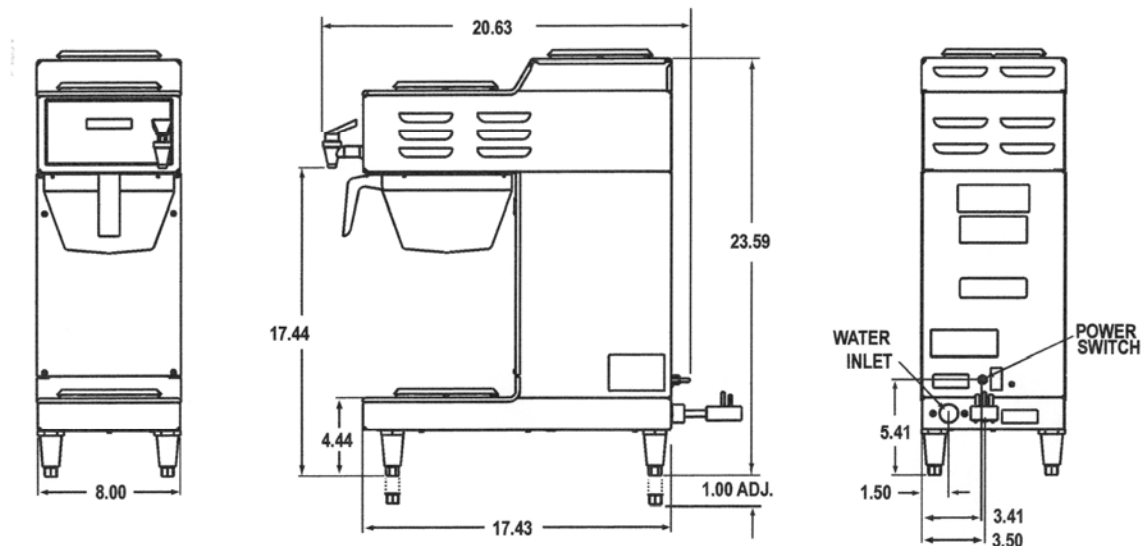


# Dimensions & Specifications



Model #	Description	Volts	Total Watts	Amps	Cu. Ft.	Dimensions	Shipping Weight
1015002	Brewmatic C21-DB w/3 warmers	120	1800	15	5	23-5/8"H x 8"W x 20-5/8"D	30 lbs. (14 kg)
1015003	Brewmatic C21-DB w/3 warmers	120/240	4620	20	5	23-5/8"H x 8"W x 20-5/8"D	30 lbs. (14 kg)
1015006	Brewmatic C21-DB w/3 warmers	230	3680	16	5	23-5/8"H x 8"W x 20-5/8"D	30 lbs. (14 kg)

Plumbing: 30 -80 psi. All models are supplied with 1/4" male flared fitting.  
 Power Supply Cord: 6 ft. 2 wire + ground 14 AWG 18 Amp rating for 120V models only.  
 200V, 220V&120/240V models: 6 ft. 2 wire ground 12 AWG 25 Amp rating, cord plug not attached.

## Approvals

1015002, 1015003,  
1015006



## Accessories:



1 Gallon Container 1032353	1 Gallon Stove 1032353	1.9L Thermal server 9500489	Filter Paper 9906601	BTS-74 Airpot (Black) 9500335 (Orange top) 9500336
<ul style="list-style-type: none"> <li>1 Gallon Capacity (3.78 Liter)</li> </ul>	<ul style="list-style-type: none"> <li>Holds 1 gallon container</li> </ul>	<ul style="list-style-type: none"> <li>7 inches in height</li> <li>1.9 liter (64 oz.)</li> </ul>	<ul style="list-style-type: none"> <li>12 Cup filter paper</li> <li>1000/Case</li> </ul>	
<ul style="list-style-type: none"> <li>S/S Construction With S/S Inner Liner</li> <li>Warmer Required</li> </ul>	120v, 100W, .8 amps	<ul style="list-style-type: none"> <li>S/S construction</li> <li>Vacuum insulated</li> <li>Only for use on units with warming elements disabled to prevent accidental burns</li> </ul>		<ul style="list-style-type: none"> <li>Glass Decanter (Black) 9904334</li> <li>(Orange Decaf) 9904313</li> </ul>



Brewmatic - 20333 S. Normandie Avenue, Torrance, California 90509 ♦ (310) 787-5444 ♦ (800) 421-6860 ♦ Fax (310) 787-5412  
 USA E-mail: brew@brewmaticusa.com ♦ Int'l E-mail: brew equip@brewmaticusa.com ♦ Website: brewmatic.com

Brewmatic reserves the right to change specifications and product design without notice. Such revisions do not entitle the buyer to corresponding changes, improvements, additions or replacements for previously purchased equipment.